



# Point Digit and Point Digit *mini* - Product Size Exchange Form

Original PO#

Please include this form with the product(s) to be exchanged and send to:

**Point Designs**  
1216 Commerce Ct, Ste 3  
Lafayette, CO 80026

## Clinic

Clinic Name

Clinician's Name

Email

Phone

## Shipping

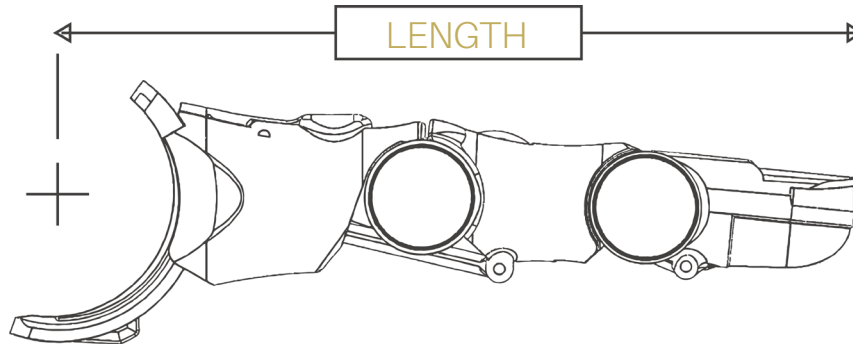
Street Address / P.O. Box

City, State

ZIP code

## Product Exchange Table

	Product Name	Length included to be exchanged	New Length (see table for standard sizes)
Item #1			
Item #2			
Item #3			
Item #4			



**Original product must be in like-new condition.** Condition of digits will be assessed upon return, and additional costs may be charged for damaged/used products.



point designs

### Sizing Table

Length	Part Number
55 mm	PNTMN-055-G
60 mm	PNTMN-060-G
65 mm	PNTMN-065-G
70 mm	PNTMN-070-G
75 mm	PNTMN-075-G

Length	Part Number
80 mm	PNTDG2-080-G
85 mm	PNTDG2-085-G
90 mm	PNTDG2-090-G
95 mm	PNTDG2-095-G
100 mm	PNTDG2-100-G
105 mm	PNTDG2-105-G